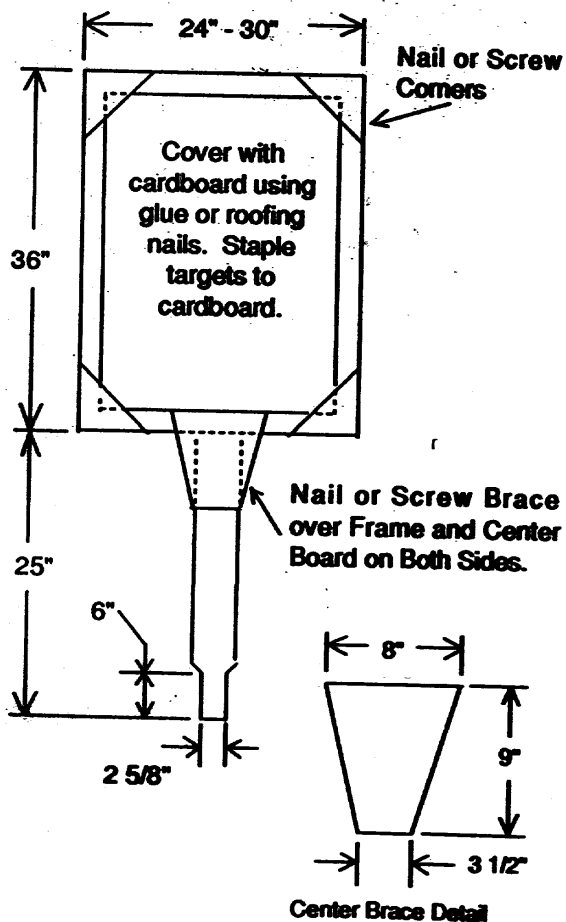


TARGET FRAMES FOR PISTOL RANGE  
Design by Col. Everett Lee

During non-operating hours and weekdays when the Rangemaster is not present, club members should bring their own target frames to use on the range. Range Rules #7 and #8 are to be strictly followed and enforced. **ABSOLUTELY NO SHOOTING AT STRUCTURES, AND BOTTLES, ROCKS OR OTHER HARD, FLAT SURFACES, TRASH OR JUNK, OR GROUND PLACED TARGETS IS ALLOWED!** Be sure that all shots you fire impact safely in the berms and are kept inside the range impact areas. The following frame designs will fit into the target holders or stands on the pistol range and can be easily made from materials available in local lumber, hardware or building supply stores. *Do not hit or shoot at these frames, as they shatter.*

ONE-PIECE VERSION

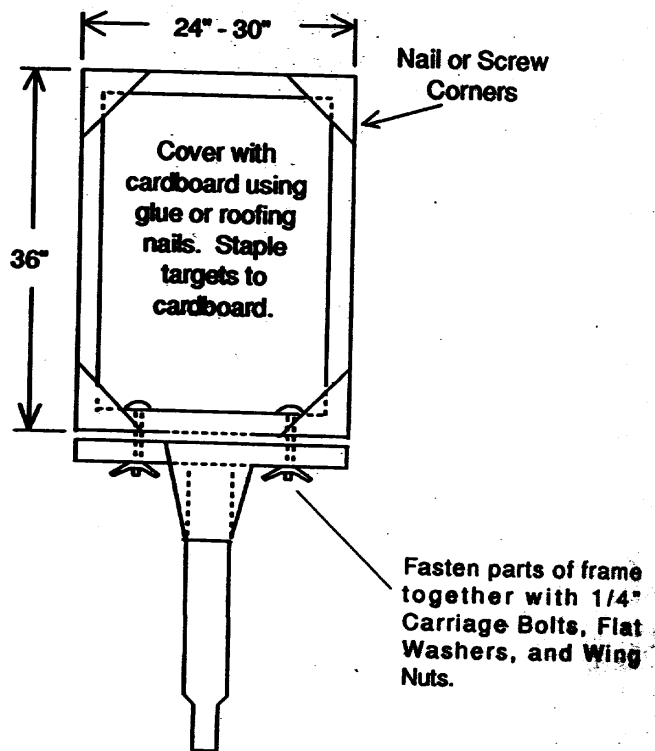


Nail or screw side, top and bottoms together (glue is optional). Nail or screw 6" x 6" corner braces over joints.  
Nail or screw Center Braces over frame and center board.

Materials list

- 2 ea. 1" x 2" x 36" pine or fir (sides)
- 2 ea 1" x 2" x 24" - 30" pine or fir (top & bottom)
- 1 ea 1" x 4" x 25" Center Board (cut one end as shown)
- 4 ea 6" x 6" x 3/8" triangular plywood corner brace
- 2 ea 8" x 9" x 3/8" plywood center brace (see detail)
- Nails or Screws & Glue (optional) to assemble unit
- Cardboard to cover frame & Roofing Nails to attach to frame

TWO-PIECE VERSION



The bottom-half of the Two-piece frame is identical to the bottom of the one-piece except that it is fabricated as a separate unit using an additional piece of 1" X 2" lumber to form the top member. The step at the bottom of the frame is required to fit the target holders on the 25 yard line.

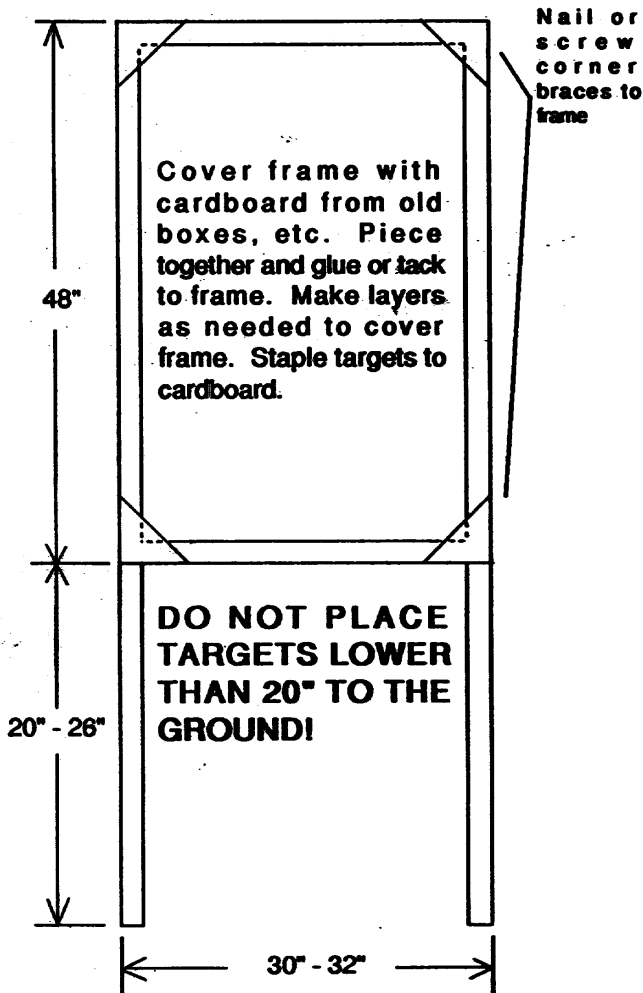
Materials list

- The list includes everything for the one-piece version, plus:
- 1 ea 1" x 2" x 24" - 30" pine or fir (top of bottom section)
- 2ea 1/4-20 x 4" Carriage Bolts with Wing Nuts and Washers

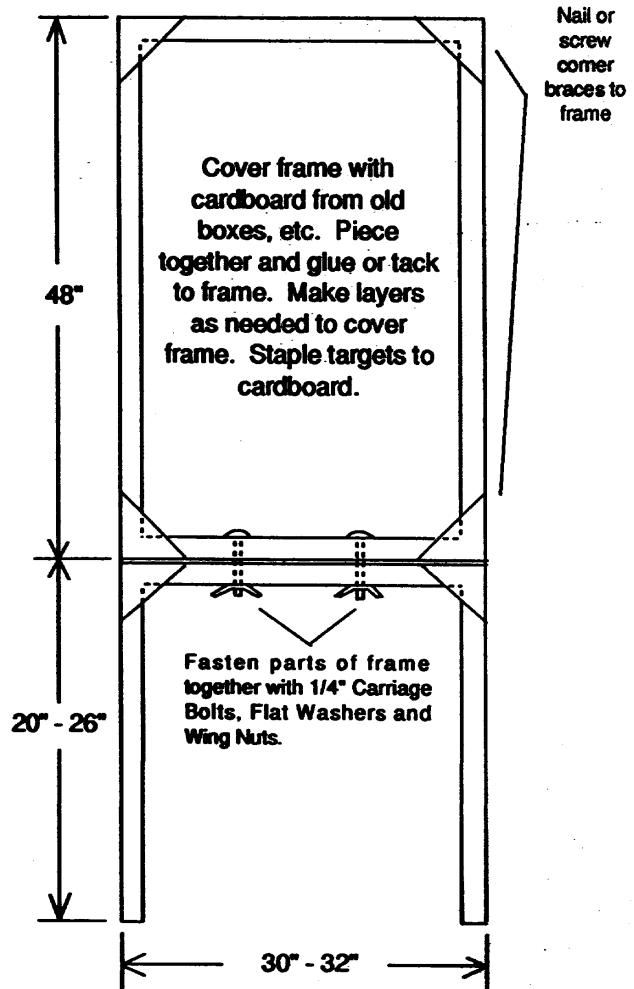
**TARGET FRAMES FOR 100 YARD RIFLE RANGE**  
Design by Col. Everett Lee

During non-operating hours and weekdays when the Rangemaster is not present, club members should bring their own target frames to use on the range. Range Rules #7 and #8 are to be strictly followed and enforced. **ABSOLUTELY NO SHOOTING AT STRUCTURES, AND BOTTLES, ROCKS OR OTHER HARD, FLAT SURFACES, TRASH OR JUNK, OR GROUND PLACED TARGETS IS ALLOWED!** Be sure that all shots you fire impact safely in the berms and are kept inside the range impact areas. You can easily make your own target frames as follows:

**ONE-PIECE VERSION**



**TWO-PIECE VERSION**



Make from 2" X 2" X 8' straight fir available from local lumber yards. Nail or screw sides to top and bottom pieces. Nail or screw 6" x 6" triangular plywood corner braces over each joint.

**Materials List**

- 2 ea 2" x 2" x 72" straight fir (sides)
- 2 ea 2" x 2" x 29" straight fir (top & bottom)
- 4 ea 6" x 6" x 3/8" Plywood triangular Corner Braces
- Nails or Screws to assemble frame
- Cardboard to cover frame, plus Roofing Nails to attach to frame

Construction is similar to one piece version, except that the side rails are cut in two as shown. Bottom leg assembly may be removed to make frame small enough to fit in trunk of car. Assemble at the range with two carriage bolts and wing nuts.

**Materials List**

- 2 ea 2" x 2" x 60" straight fir (sides)
- 3 ea 2" x 2" x 29" straight fir (top & bottom pcs)
- 2 ea 2" x 2" x 24" straight fir (legs)
- 6 ea 6" x 6" x 3/8" Plywood triangular Corner Braces.
- 2 ea 1/4-20 x 4" Carriage Bolts with Wing Nuts and Washers.
- Nails or Screws to assemble frame.
- Cardboard to cover frame & roofing nails to attach to frame.